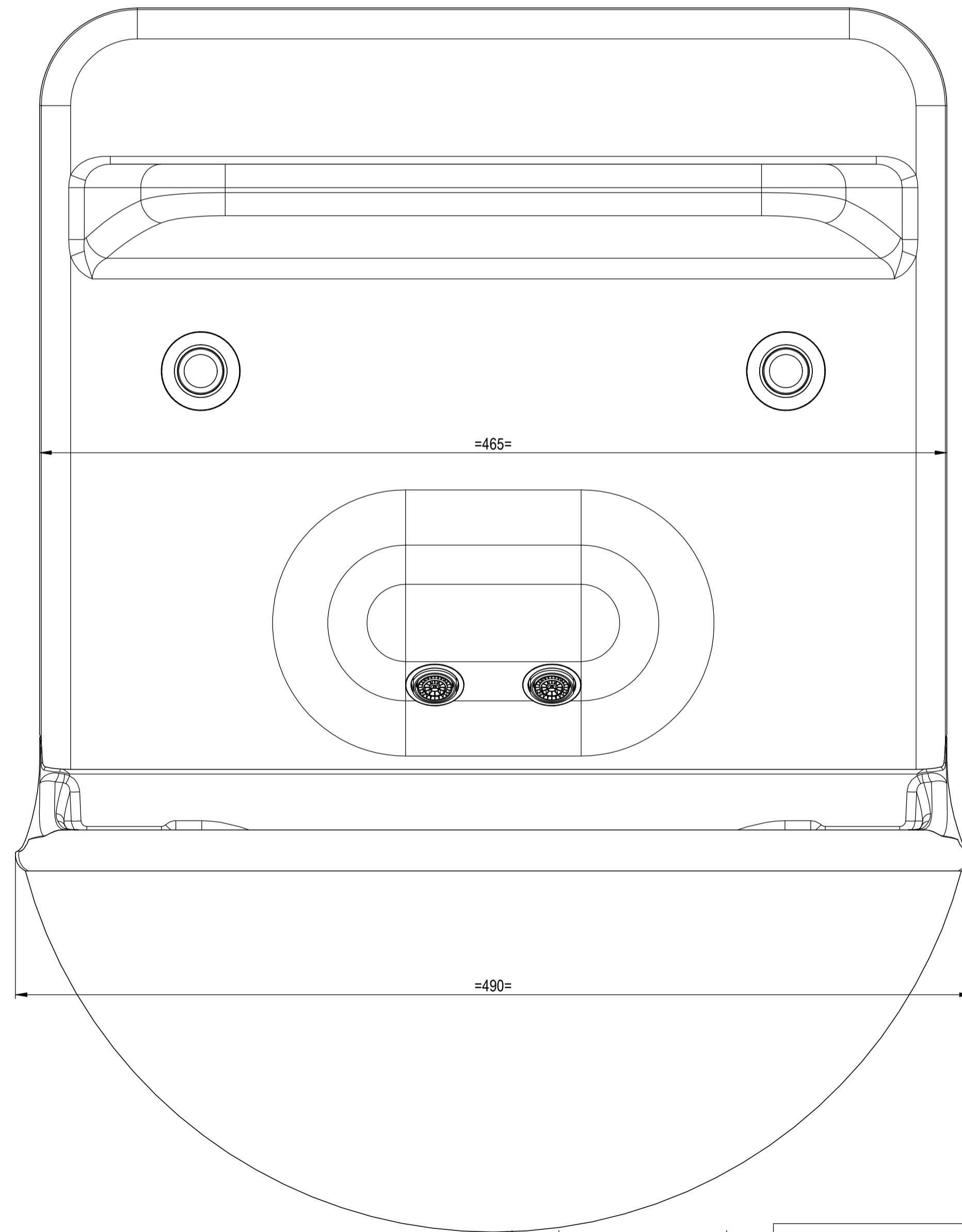
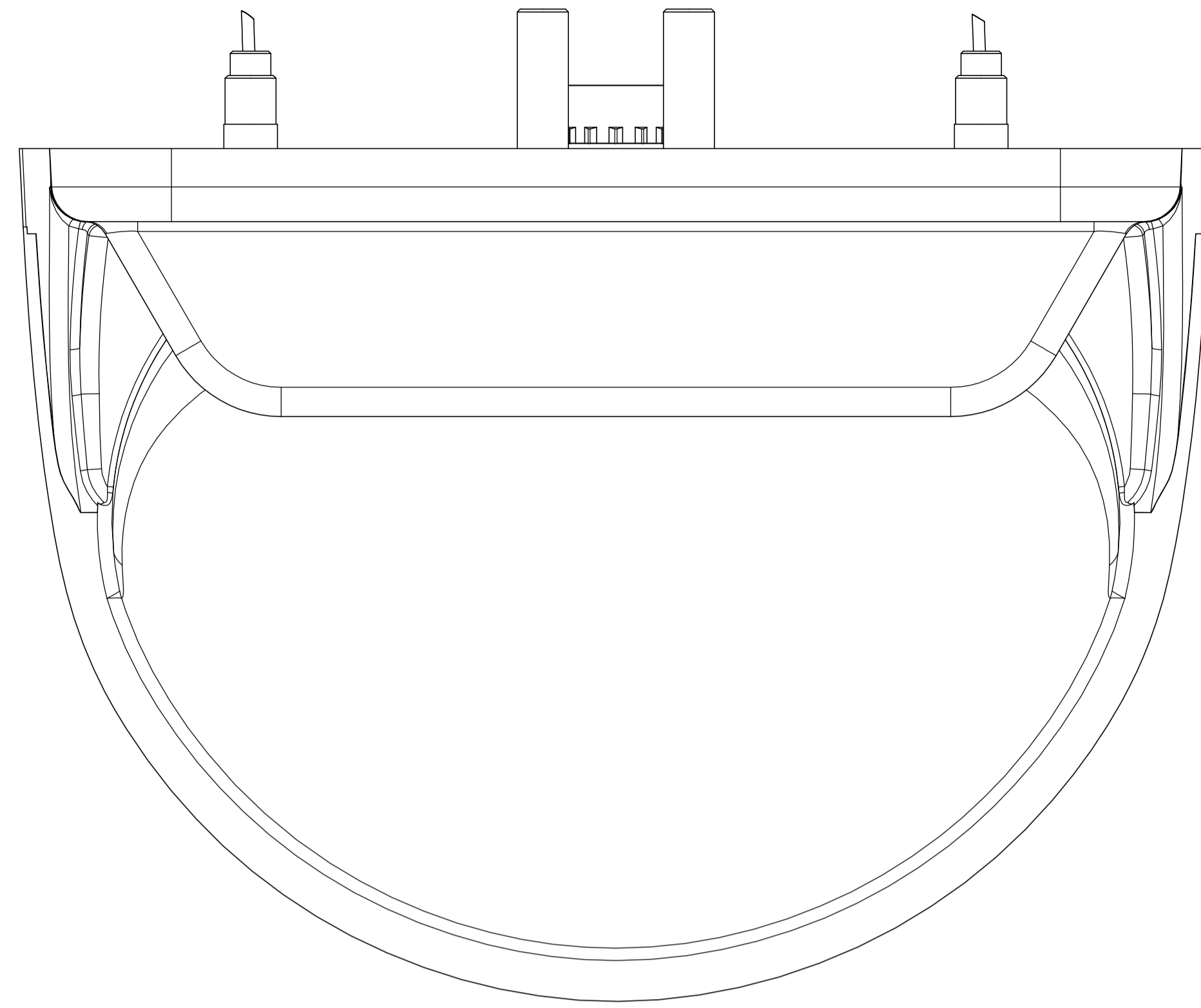
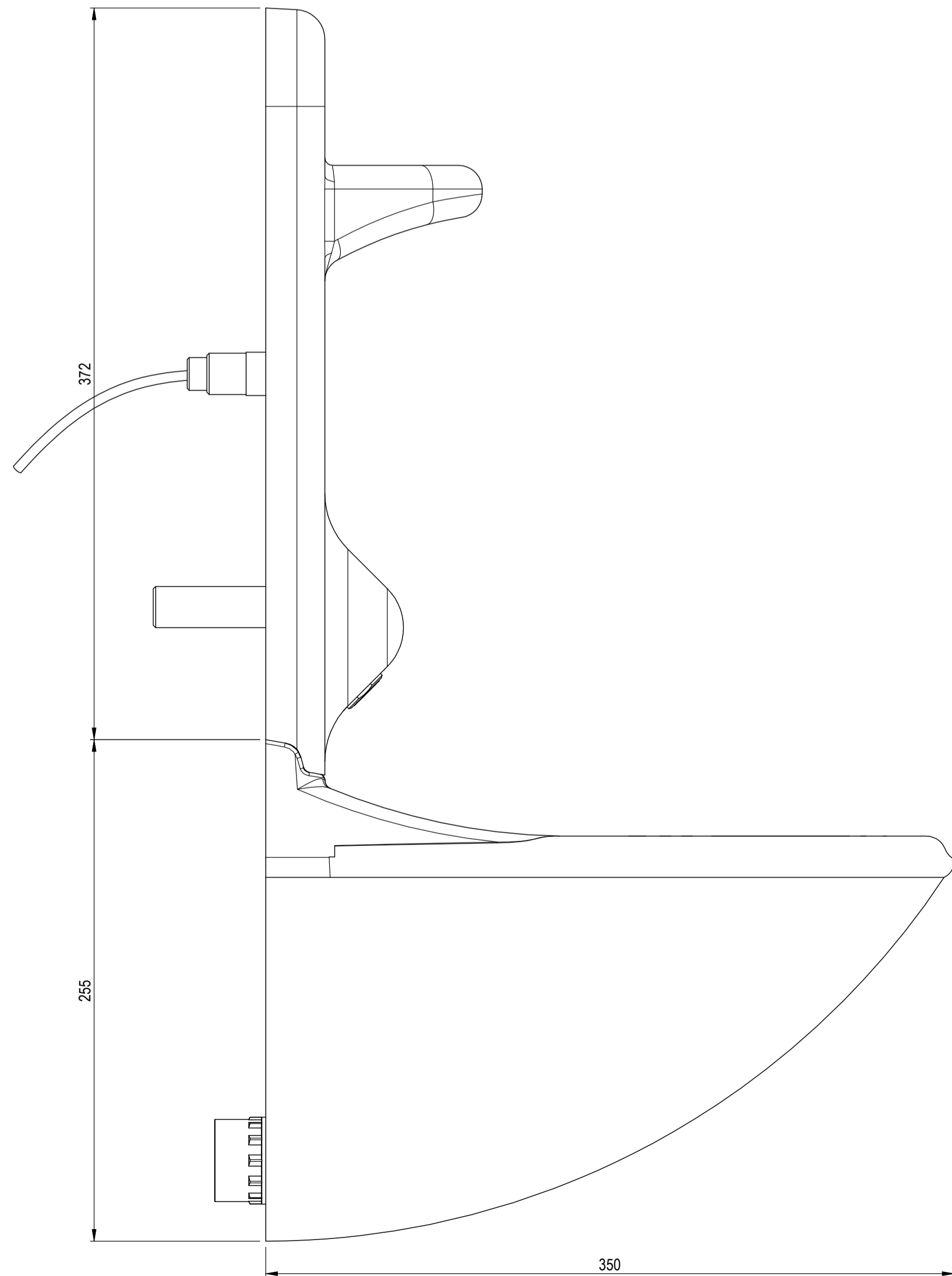


NOTE:
FOR FIXING POSITIONS PLEASE REFER TO CUSTODIAL BASIN & SHELVED BACKPLATE DRILLING TEMPLATE (NOT THIS CAD).


SCALE 1:2



1	PRODUCTION ISSUE	25/08/2006
REVISION	ALTERATION / E/C NUMBER	DATE

BOXED DIMENSIONS ARE CRITICAL	
ALL DIMENSIONS IN MM UNLESS OTHERWISE STATED	GENERAL LIMITS
X	±0.5
XX	±0.25
XXX	±0.10
XXXX	±0.02
ANGLES	±180'

MATERIAL	SEE DETAIL SHEET	DRAWN	B.R.C.
DATE	25/08/2006	CHECKED	
FINISH	SEE DETAIL SHEET	DATE	-/2006
COLOUR	SEE DETAIL SHEET	APPROVED	
DATE	-/2006	DATE	-/2006

 Dart Valley Systems Ltd Kemmings Close, Long Road, Paignton, Devon TQ4 7TW Tel: +44(0)1803 559021 Fax: +44(0)1803 559016 E-mail: sales@dartvalley.co.uk		TITLE CUSTODIAL BASIN & SHELVED BACKPLATE	SIZE A1
SCALE	1:2	SHEET	1 OF 1
DRAWING No: D800-WB-A BASIN & SHELVED BACKPLATE / 1			