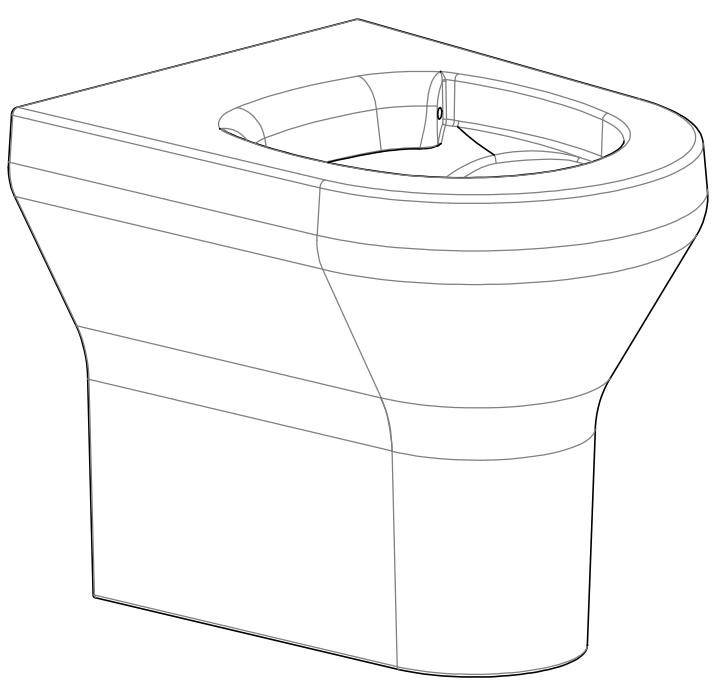
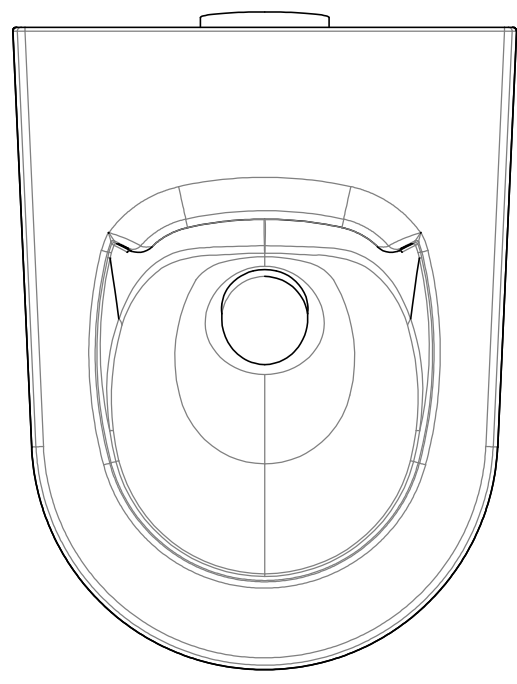


A



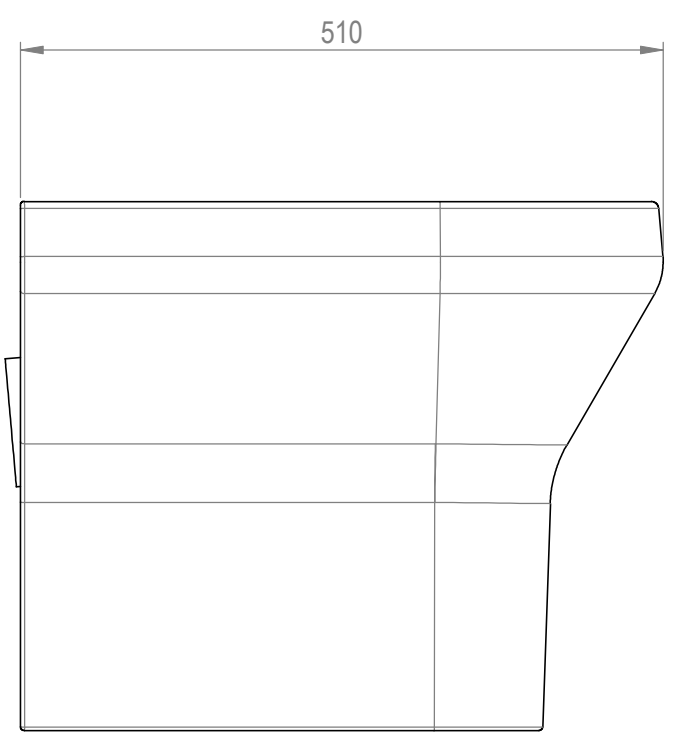
A

B



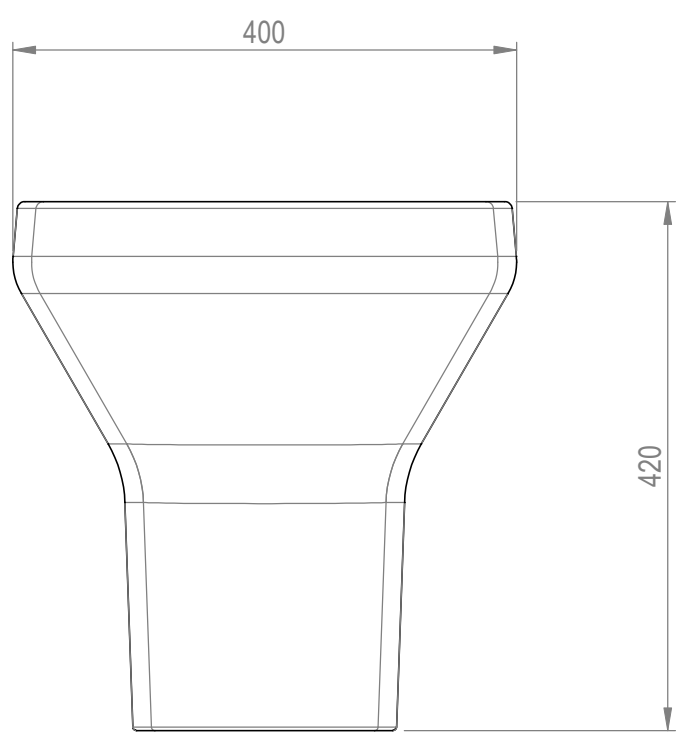
B

C



C

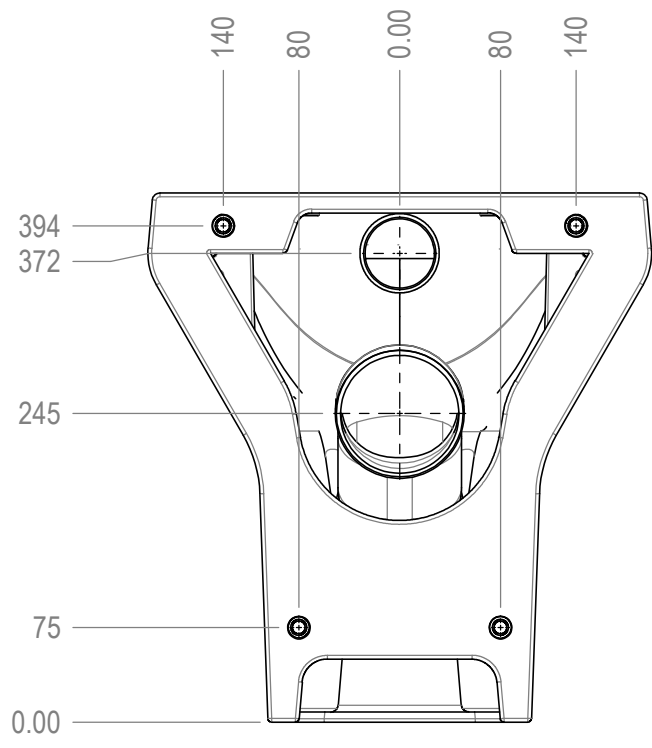
D



D

E

F



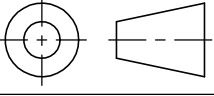
F

G

H

BOXED DIMENSIONS ARE CRITICAL

ALL DIMENSIONS IN MM UNLESS OTHERWISE STATED



GENERAL LIMITS	
X	±0.5
X.X	±0.25
X.XX	±0.10
X.XXX	±0.02
ANGLES	±1/60°

This Drawing/Information Sheet is the property of Dart Valley Systems Ltd and must be treated in confidence. The Company reserves all rights to the information or articles portrayed which may not be used, reproduced, loaned, copied or shown to third parties without the consent of Dart Valley Systems Ltd. Dart Valley Systems Ltd reserve the right to change the content and specification of this drawing without notice.

MATERIAL.	SEE DETAIL SHEET
FINISH.	SEE DETAIL SHEET
COLOUR.	SEE DETAIL SHEET



Kemmings Close,
Long Road,
Paignton
Devon TQ4 7TW
Tel: +44(0)1803 529021. Fax: +44(0)1803 559016.
E-mail: sales@dartvalley.co.uk

REVISION	ALTERATION / ECN NUMBER	DATE
1.	ISSUED FOR REFERENCE ONLY	26/03/2010

DRAWN.	B.R.C.	TITLE.	SIZE.
DATE.	26/03/2010	BTW WC PAN	A3
CHECKED.	-	SCALE.	SHEET.
DATE.	-/2010	AS STATED	1 OF 1
APPROVED.	-	DRAWING No.	D800-BTWWPC / 1
DATE.	-/2010		