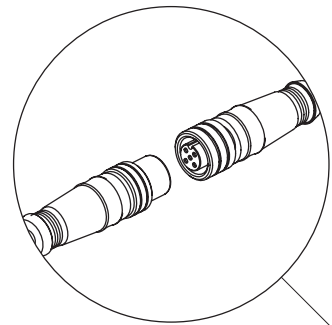
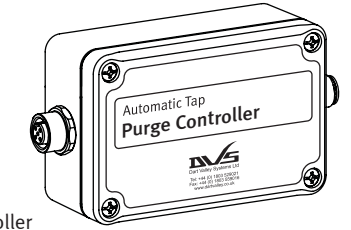


# Automatic Tap - Purge Controller

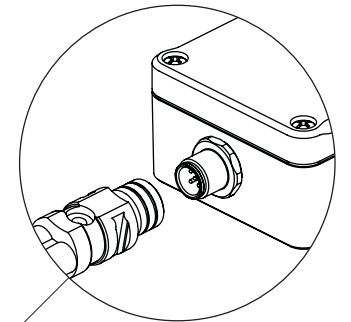


Above: Socket connections

Be sure the sockets locating keyways are aligned before pushing together. Ensure connection is tight.



D615/PURGE - PURGE controller



Above: Socket connections

Be sure the sockets locating keyways are aligned before pushing together. Ensure connection is tight.

